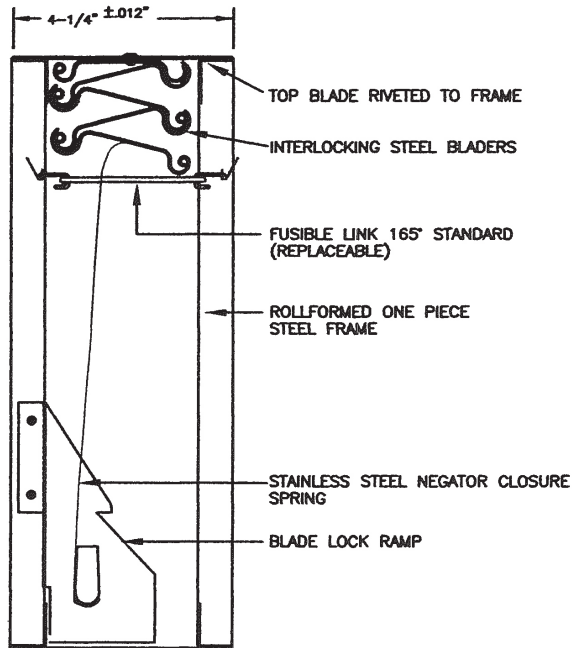
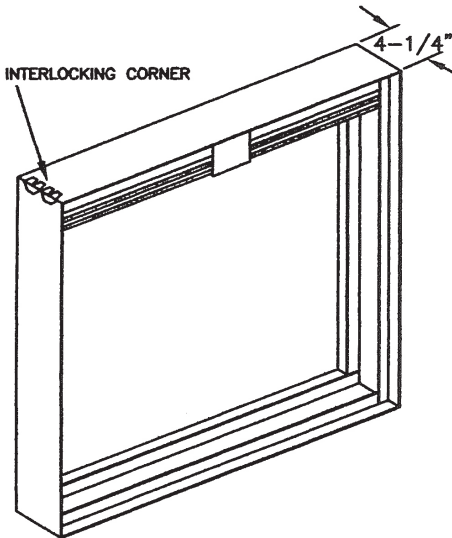
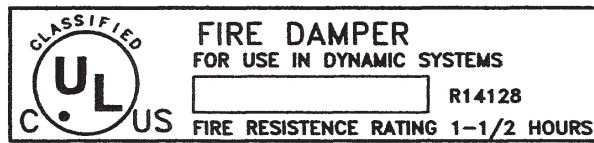


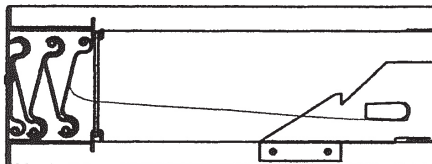
# DYNAMIC FIRE DAMPERS

FIRE DAMPER MODEL-75A-DY DYNAMIC FIRE DAMPER  
HORIZONTAL AND VERTICAL

type  
**75A-DY**



VERTICAL MOUNT



HORIZONTAL MOUNT

**MATERIALS:** STANDARD CONSTRUCTION—GALVANIZED STEEL SPECIFICATION FOR ALL MATERIAL PER UNDERWRITERS LABORATORIES STANDARD FOR SAFETY UL555  
**UNDERWRITERS LABORATORIES:** LABELED FOR USE IN SIZES NO LARGER THAN SHOWN IN UL BUILDING MATERIALS LIST IN A 2-HOUR FIRE PARTITION.

**DYNAMIC FIRE DAMPERS:**  
BI-DIRECTIONAL  
2000 FPM MAXIMUM VELOCITY  
4.0 WG MAXIMUM STATIC PRESSURE

**FEATURE HORIZONTAL CLOSURE**  
SPRING OPERATION UNDER AIRFLOW IN HVAC SYSTEMS WHERE FANS REMAIN RUNNING IN FIRE AND SMOKE CONTROL. DYNAMIC FIRE DAMPERS BEAR A LABEL ATTESTING TO AIRFLOW AND MAXIMUM STATIC PRESSURE LIMITS.

SINGLE SECTION SIZE AVAILABILITY					JOB NAME: _____ LOCATION: _____ ARCHITECT: _____ ENGINEER: _____ CONTRACTOR: _____
	VERTICAL		HORIZONTAL		
	WIDTH	HEIGHT	WIDTH	HEIGHT	
MINIMUM	4"	4"	4"	4"	
MAXIMUM	24"	24"	24"	24"	
MULTIPLE SECTION SIZE AVAILABILITY					
MINIMUM	CONSULT FACTORY FOR				
MAXIMUM	AVAILABILITY				

10536-REV-A-2



## LLOYD INDUSTRIES INC.

231 Commerce Drive  
Montgomeryville, PA 18936  
215-412-4445 • Fax: 215-412-4409  
Email: lloydind@firedamper.com

138 Industrial Loop West  
Orange Park, FL 32073  
904-541-1655 • Fax: 904-541-1657  
Email: lloydind1@bellsouth.net

website: www.firedamper.com

Lloyd Asia  
B1, 4/F., Luen Ming Hing Factory Building  
36 Mok Cheong St.

To Kwa Wan, Kowloon, H.K.  
852-2760 4188 • Fax: 852-2760 4177  
tatanlexyim@lloydasia.com

